



# SEIKO

SINCE 1881

# SEIKO

SINCE 1881

[SeikoUSA.com](http://SeikoUSA.com)

1111 Macarthur Boulevard, Mahwah, New Jersey 07430  
©2019 Seiko HOLDINGS CORPORATION  
Seiko is a registered trademark of Seiko Holdings Corporation.  
All prices and specifications subject to change.

Printed June 2019



SFLC2019

2019 CATALOG



PROSPEX	04
PRESAGE	18
COUTURA	28
DIAMONDS	36
CRYSTALS	44
ESSENTIALS	52
SEIKO TECHNOLOGY	82
INDEX	87

Style No. SSB363





Style No. SRPD21

 **PROSPEX**

**Life is the ultimate adventure.**

Designed for those who live with daring and style, the Seiko Prospex Collection meets every challenge with technological excellence and iconic design. This is the timepiece for the thrill-seekers, the risk takers, and those who seize each moment and demand a watch that they can rely on whatever the situation. A longtime leader in high-intensity watches, Seiko continues to build on the legacy of such landmarks achievements as its 1965 first diver's watch to provide superior timekeeping in the sea, on the land or in the sky – for precision and dependability when it truly counts. With advanced automatic, solar and quartz movements, the Prospex Collection includes styles meeting ISO standards for deep sea diving, reflecting its Seiko's status as an official partner of PADI, the world's leading scuba diving training organization.

NEW



**SRPD21**  
SPECIAL EDITION  
45.0mm. Blue wave patterned dial. 21,600 vibrations per hour. 41-hour power reserve. Day/date calendar. **\$525**



NEW



**SRPD23**  
SPECIAL EDITION  
44.0mm. Blue wave patterned dial. 21,600 vibrations per hour. 41-hour power reserve. Date calendar. **\$525**



**SRPD11**  
SPECIAL EDITION  
45.0mm. Blue whale/wave patterned dial. 21,600 vibrations per hour. 41-hour power reserve. Day/date calendar. **\$575**



**SRPD09**  
SPECIAL EDITION  
44.0mm. Blue whale/wave patterned dial. 21,600 vibrations per hour. 41-hour power reserve. Date calendar. Silicone strap. **\$525**



**SSC701**  
SPECIAL EDITION  
43.5mm. Blue whale/wave patterned dial. 6-month power reserve once fully charged. Date calendar. Silicone strap. **\$450**





**SRP777**

45.0mm. 21,600 vibrations per hour. 41-hour power reserve. Day/date calendar. Silicone strap. **\*495**



**SRPC44**

45.0mm. 21,600 vibrations per hour. 41-hour power reserve. Day/date calendar. Silicone strap. **\*525**



**SRPC91**

**SPECIAL EDITION**  
45.0mm. Blue whale/wave patterned dial. 21,600 vibrations per hour. 41-hour power reserve. Day/date calendar. Silicone strap. **\*495**



**PADI**

**SRPA21**

**PADI SPECIAL EDITION**  
45.0mm. 21,600 vibrations per hour. 41-hour power reserve. Day/date calendar. **\*550**





**SRPC93**  
**SPECIAL EDITION**  
 44.0mm. Blue whale/wave patterned dial. 21,600 vibrations per hour. 41-hour power reserve. Date calendar. **\*\$25**



**SRPC07**  
 44.0mm. 21,600 vibrations per hour. 41-hour power reserve. Date calendar. **\*\$25**



**SRPB53**  
 44.0mm. 21,600 vibrations per hour. 41-hour power reserve. Date calendar. Silicone strap. **\*\$495**



**SRPB51**  
 44.0mm. 21,600 vibrations per hour. 41-hour power reserve. Date calendar. **\*\$25**



**PADI**

**SRPB99**  
**PADI SPECIAL EDITION**  
 44.0mm. Wave patterned dial. 21,600 vibrations per hour. 41-hour power reserve. Date calendar. **\*\$550**



NEW



SRPD27

42.4mm. 21,600 vibrations per hour. 41-hour power reserve. Magnified day/date calendar. Silicone strap. \$495



NEW



SRPD25

42.4mm. 21,600 vibrations per hour. 41-hour power reserve. Magnified day/date calendar. \$525



Style No. SRPD25



NEW



**SNJ025**  
47.8mm. 6-month power reserve once fully charged. Silicone strap. \$525



NEW



**SNJ027**  
**PADI SPECIAL EDITION**  
47.8mm. 6-month power reserve once fully charged. Silicone strap. \$525



NEW



**SNE533**  
46.7mm. 10-month power reserve once fully charged. Date calendar. Lightweight matte blue case with matching silicone strap. \$450



NEW



**SNE535**  
46.7mm. 10-month power reserve once fully charged. Date calendar. Lightweight matte green case with matching silicone strap. \$450



NEW



**SNE537**  
46.7mm. 10-month power reserve once fully charged. Date calendar. Lightweight matte gray case with matching silicone strap. \$450







**SNE498**

47.0mm. 10-month power reserve once fully charged. Date calendar. Silicone strap. **¥450**



**PADI**

**SNE499**

**PADI SPECIAL EDITION**  
47.0mm. Wave patterned dial. 10-month power reserve once fully charged. Date calendar. Silicone strap. **¥450**



**SNE441**

43.5mm. 10-month power reserve once fully charged. Date calendar with magnified glass. Silicone strap. **¥375**



**PADI**

**SNE435**

**PADI SPECIAL EDITION**  
43.5mm. 10-month power reserve once fully charged. Date calendar with magnified glass. **¥395**



**RADIO SYNC SOLAR**



**SSG015**

44.0mm. Radio controlled. 6-month power reserve once fully charged. Power save function. Date calendar. Leather strap. Radio Sync Solar technology automatically adjusts the time and date by radio signals received from atomic clocks positioned throughout the world, delivering superior accuracy. **¥595**





Style No. SRPD37

# PRESAGE

## Masterworks of Watchmaking

Each stunningly crafted Presage reflects an extraordinary heritage of artistry in design and timekeeping. Starting with superior Japanese mechanical watchmaking, every Presage reflects the essence of a unique view of beauty, nature and art. With inspiration from such disparate, yet richly evocative, sources as the serenity of a classic Japanese garden and the gradient tones of the perfect cocktail, the newest dials offer a modern view of centuries of tradition. And each Presage is perfectly balanced, from those distinctive dials to the delicately turned hands and the see-through casebacks offering a view of classic timekeeping in action. Featuring Seiko's proprietary Trimatic technology, these superior jeweled movements include such innovations as the Magic Lever, durable Spron alloy springs and the Diashock protection system. Exquisitely detailed in every respect, each Presage is a tribute to fine watchmaking.

# PRESAGE

20 Presage

## Limited Editions

NEW



**SSA392**  
LIMITED EDITION OF 8,000  
40.5mm. 21,600 vibrations per hour. 41-hour power reserve. Power reserve indicator and date display. Patterned dial with gloss finish. Leather strap. Special packaging with additional leather strap included. **¥725**



NEW



**SRPD36**  
LIMITED EDITION OF 8,000  
40.5mm. 21,600 vibrations per hour. 41-hour power reserve. Date calendar. Patterned dial with gloss finish. Leather strap. Special packaging with additional leather strap included. **¥595**



Both limited edition models come with presentation box and additional strap.

NEW



**SSA393**  
40.5mm. 21,600 vibrations per hour. 41-hour power reserve. Power reserve indicator and date display. Sunray dial with pressed pattern and gloss finish. Leather strap. **¥575**



Presage 21



**SSA343**  
40.5mm. 21,600 vibrations per hour. 41-hour power reserve. Power reserve indicator and date display. Sunray dial with pressed pattern and gloss finish. Leather strap. **¥575**



**SSA346**  
40.5mm, 21,600 vibrations per hour. 41-hour power reserve. Power reserve indicator and date display. Sunray dial with pressed pattern and gloss finish. Leather strap. **¥650**



**SSA387**  
40.5mm. 21,600 vibrations per hour. 41-hour power reserve. Power reserve indicator and date display. Sunray dial with pressed pattern and gloss finish. Leather strap. **¥575**



# PRESAGE

22 Presage

NEW



**SRPD37**  
40.5mm. 21,600 vibrations per hour. 41-hour power reserve. Date calendar. Sunray dial with pressed pattern and gloss finish. Leather strap. \$425

**SRPC99**  
40.5mm. 21,600 vibrations per hour. 41-hour power reserve. Date calendar. Sunray dial with pressed pattern and gloss finish. Leather strap. \$425

Presage 23



**SRPB41**  
40.5mm. 21,600 vibrations per hour. 41-hour power reserve. Date calendar. Sunray dial with pressed pattern and gloss finish. \$450

**SRPB77**  
40.5mm. 21,600 vibrations per hour. 41-hour power reserve. Date calendar. Sunray dial with pressed pattern and gloss finish. \$450



**SRPB43**  
40.5mm. 21,600 vibrations per hour. 41-hour power reserve. Date calendar. Sunray dial with pressed pattern and gloss finish. Leather strap. \$425

**SRPB46**  
40.5mm. 21,600 vibrations per hour. 41-hour power reserve. Date calendar. Sunray dial with pressed pattern and gloss finish. Leather strap. \$495



**SSA359**  
40.5mm. 21,600 vibrations per hour. 41-hour power reserve. Sunray dial with pressed pattern, gloss finish and open aperture. Leather strap. \$475

**SSA358**  
40.5mm. 21,600 vibrations per hour. 41-hour power reserve. Sunray dial with pressed pattern, gloss finish and open aperture. \$525



# PRESAGE

24 Presage

Presage 25

NEW



SSA395

42.0mm. 21,600 vibrations per hour. 41-hour power reserve. Power reserve indicator and date display. Textured dial and markers. Dual curved sapphire crystal. **¥675**



NEW



SSA397

42.0mm. 21,600 vibrations per hour. 41-hour power reserve. Power reserve indicator and date display. Textured dial and markers. Dual curved sapphire crystal. **¥675**



NEW



SRPD39

41.7mm. 21,600 vibrations per hour. 41-hour power reserve. Date calendar. Textured dial and markers. Dual curved sapphire crystal. **¥525**



NEW



SRPD41

41.7mm. 21,600 vibrations per hour. 41-hour power reserve. Date calendar. Textured dial and markers. Dual curved sapphire crystal. **¥525**



# PRESAGE

26 Presage

Presage 27



**SSA379**  
41.8mm. 21,600 vibrations per hour. 41-hour power reserve. Date calendar. Patterned dial with open aperture. Dual curved sapphire crystal. Leather strap. **\$550**



**SRPC83**  
41.7mm. 21,600 vibrations per hour. 41-hour power reserve. Date calendar. Patterned dial. Dual curved sapphire crystal. Leather strap. **\$495**



**SRPC79**  
41.7mm. 21,600 vibrations per hour. 41-hour power reserve. Date calendar. Patterned dial. Dual curved sapphire crystal. **\$525**



**SRPD05**  
37.0mm. 21,600 vibrations per hour. 41-hour power reserve. Date calendar. Patterned dial. Dual curved sapphire crystal. Leather strap. **\$625**



**SRPD07**  
37.0mm. 21,600 vibrations per hour. 41-hour power reserve. Date calendar. Patterned dial. Dual curved sapphire crystal. Leather strap. **\$625**





Style No. SSC745

# COUTURA

## Styled for Performance

A sophisticated blend of style, precision and innovation, Coutura is crafted for effortless excellence. The watch for those who know what they want and where they're going, who make their own rules and forge their own paths, each Coutura is thoroughly contemporary in technology and design. Combining rugged sport lines and cutting-edge looks, the masterfully integrated styling offers bold angles, dimensional patterns and bright color accents. And, with solar movements that never need a battery change, including automatically adjusting Radio-Sync solar models, every Coutura delivers non-stop performance for the modern world.

# COUTURA

30 Coutura

Coutura 31



**SSG009**  
44.5mm. Radio controlled.  
6-month power reserve once fully charged. Signal reception and result indicator. Power save function. Date calendar. Cabochon crown. **¥595**



**SSG010**  
44.5mm. Radio controlled.  
6-month power reserve once fully charged. Signal reception and result indicator. Power save function. Date calendar. Cabochon crown. **¥650**



**SSG021**  
44.5mm. Radio controlled.  
6-month power reserve once fully charged. Signal reception and result indicator. Power save function. Date calendar. Cabochon crown. **¥695**



**SSG019**  
44.5mm. Radio controlled.  
6-month power reserve once fully charged. Signal reception and result indicator. Power save function. Retrograde day indicator. Date calendar. Cabochon crown. **¥595**



**SSG020**  
44.5mm. Radio controlled.  
6-month power reserve once fully charged. Signal reception and result indicator. Power save function. Retrograde day indicator. Date calendar. Cabochon crown. **¥650**



## RADIO SYNC SOLAR

Radio Sync Solar technology automatically adjusts the time and date by radio signals received from atomic clocks positioned throughout the world, delivering superior accuracy.

(For all styles on page 30-31)



# COOUTURA

32 Coutura

Coutura 33

NEW



**SSC747**  
45.5mm. 6-month power reserve once fully charged. Power reserve indicator. Date calendar. Cabochon crown. Silicone strap. **\$495**



NEW



**SSC745**  
45.5mm. 6-month power reserve once fully charged. Power reserve indicator. Date calendar. Cabochon crown. Silicone strap. **\$495**



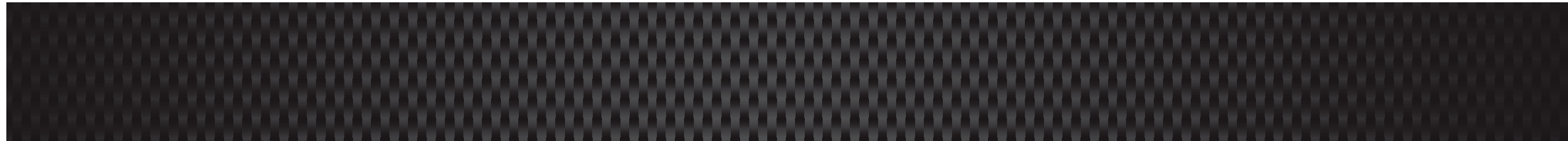
NEW



**SSC743**  
45.5mm. 6-month power reserve once fully charged. Power reserve indicator. Date calendar. Cabochon crown. **\$525**



**SSC628**  
45.5mm. 6-month power reserve once fully charged. Power reserve indicator. Big date calendar. Cabochon crown. **\$495**



# COUTURA

34 Coutura

Coutura 35



**SSC376**  
44.0mm. Power reserve indicator. Leap year, month, day and date indicator. Perpetual calendar. 6-month power reserve once fully charged. Cabochon crown. **¥495**



**SSC560**  
44.0mm. Power reserve indicator. Leap year, month, day and date indicator. Perpetual calendar. 6-month power reserve once fully charged. Cabochon crown. **¥495**



**SSC700**  
44.0mm. Power reserve indicator. Leap year, month, day and date indicator. Perpetual calendar. 6-month power reserve once fully charged. Cabochon crown. **¥525**



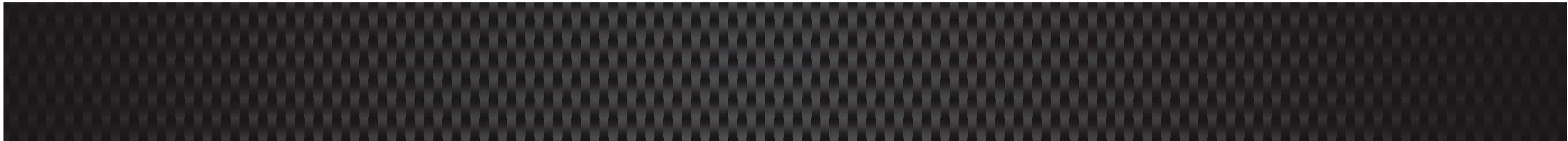
**SNE412**  
42.5mm. 10-month power reserve once fully charged. Date calendar. Cabochon crown. **¥350**



**SNE444**  
42.5mm. 10-month power reserve once fully charged. Date calendar. Cabochon crown. **¥425**



**SNE506**  
42.5mm. 10-month power reserve once fully charged. Date calendar. Cabochon crown. **¥550**





Style No. SKK878, SKK881

# DIAMONDS

COLLECTION

**The Power of Light**

Life derives its energy from light, the power to endure and perform. In our elegant Diamonds collection, light is harnessed and amplified by their reflection and clarity. Diamonds also enhance the design of these beautifully crafted watches, adorning anyone's look — at work, at play, at life.

# DIAMONDS

38 Diamonds

Diamonds 39

NEW



SKK881  
33.3mm. Date calendar. \*\$25



NEW



SKK880  
33.3mm. Date calendar. \*\$50



NEW



SKK878  
33.3mm. Date calendar. \*\$75



SUT371  
29.0mm. 6-month power reserve once fully charged. Date calendar. \*\$495



SUT372  
29.0mm. 6-month power reserve once fully charged. Date calendar. \*\$25



SUT374  
29.0mm. 6-month power reserve once fully charged. Date calendar. \*\$50



SUT380  
29.0mm. 6-month power reserve once fully charged. Date calendar. \*\$25



# DIAMONDS

40 Diamonds



**SUP399**

24.0mm. Blue hour and minute hands. 12-month power reserve once fully charged. \$495



**SUP401**

24.0mm. 12-month power reserve once fully charged. \$495



**SUP377**

24.0mm. 12-month power reserve once fully charged. \$375



**SUP378**

24.0mm. 12-month power reserve once fully charged. \$395



Diamonds 41



**SUP403**

24.0mm. 12-month power reserve once fully charged. \$525



**SUP405**

24.0mm. 12-month power reserve once fully charged. \$525



**SUP406**

24.0mm. 12-month power reserve once fully charged. \$525



**SNE461**

34.5mm. 10-month power reserve once fully charged. Date calendar. \$350



**SNE462**

34.5mm. 10-month power reserve once fully charged. Date calendar. \$375



# DIAMONDS

42 Diamonds



**SUT338**  
33.0mm. 6-month power reserve once fully charged. Date calendar. Ceramic bezel. **\$425**



**SUT340**  
33.0mm. 6-month power reserve once fully charged. Date calendar. Ceramic bezel. **\$450**



Diamonds 43



**SUT068**  
27.0mm. 6-month power reserve once fully charged. Date calendar. **\$425**



**SUT318**  
29.0mm. 6-month power reserve once fully charged. Date calendar. **\$395**



**SUT351**  
29.0mm. 6-month power reserve once fully charged. Date calendar. **\$375**



**SUP397**  
29.5mm. Blue hour and minute hands. 12-month power reserve once fully charged. Cabochon crown. **\$375**



**SUP398**  
29.5mm. 12-month power reserve once fully charged. Cabochon crown. **\$395**



**SNE430**  
41.0mm. 10-month power reserve once fully charged. Date calendar. **\$325**



**SNE243**  
39.0mm. 10-month power reserve once fully charged. Date calendar. **\$395**





Style No. SUP434, SUP433

# CRYSTAL

COLLECTION

Bold style enhanced by Swarovski® Crystals. Seiko has designed a collection that fuses brilliance for those taking on the night in dramatic style.

# CRYSTALS

46 Crystals

Crystals 47

NEW



**SUP429**  
24.7mm. 12-month power reserve once fully charged. Glitter patterned dial. Blue hour and minute hands. Made with Swarovski® crystals. Leather strap. **¥325**



NEW



**SUP433**  
30.3mm. 12-month power reserve once fully charged. Glitter patterned dial. Made with Swarovski® crystals. **¥350**



NEW



**SUP434**  
30.3mm. 12-month power reserve once fully charged. Glitter patterned dial. Made with Swarovski® crystals. **¥375**



**SUP359**  
28.0mm. 12-month power reserve once fully charged. Made with Swarovski® crystals. **¥325**



**SUP360**  
28.0mm. 12-month power reserve once fully charged. Made with Swarovski® crystals. **¥350**



**SUP364**  
28.0mm. 12-month power reserve once fully charged. Made with Swarovski® crystals. **¥350**



Swarovski® is a registered trademark of Swarovski AG



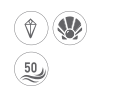




**SFQ803**  
29.6mm. Made with Swarovski® crystals. Cabochon crown. **¥295**



**SFQ802**  
29.6mm. Made with Swarovski® crystals. Cabochon crown. **¥350**



**SFQ798**  
29.6mm. Made with Swarovski® crystals. Cabochon crown. **¥335**



**SUT074**  
28.0mm. 6-month power reserve once fully charged. Date calendar. Made with Swarovski® crystals. **¥295**



**SUT312**  
29.0mm. 6-month power reserve once fully charged. Date calendar. Made with Swarovski® crystals. **¥325**



Swarovski® is a registered trademark of Swarovski AG



# CRYSTALS

50 Crystals

Crystals 51



**SUP388**  
16.5mm. 12-month power reserve once fully charged. Made with Swarovski® crystals. \$295



**SUP390**  
16.5mm. 12-month power reserve once fully charged. Made with Swarovski® crystals. \$295



**SUP173**  
22.5mm. 12-month power reserve once fully charged. Made with Swarovski® crystals. \$275



**SUP176**  
22.5mm. 12-month power reserve once fully charged. Made with Swarovski® crystals. \$275



**SNE457**  
44.5mm. 10-month power reserve once fully charged. Date calendar. Made with Swarovski® crystals. \$450



**SNE458**  
44.5mm. 10-month power reserve once fully charged. Date calendar. Made with Swarovski® crystals. \$495



# 50

YEAR  
anniversary

## 50TH ANNIVERSARY QUARTZ SPECIAL EDITIONS

The Essentials. Timekeeping that meets – and sets – the standard for reliability. Fifty years ago, Seiko revolutionized watchmaking with the first commercially available quartz watch, the Astron, introduced on December 25, 1969. Ten years in the making, and utilizing a host of proprietary technologies, this landmark innovation provided unprecedented accuracy and convenience, changing the concept of timekeeping precision forever. Today this milestone is being celebrated by including three Special Edition designs, each with a commemorative caseback and quartz symbol pattern dial, as the centerpiece of the Essentials Collection, featuring quartz and solar movements to wear with confidence.

Style No. SGEH92, SXDH04



# ESSENTIALS

54 Essentials

NEW



SSB359  
45.2mm. Date calendar.  
Textured leather strap. \*275

NEW



SSB357  
45.2mm. Date calendar. \*315

NEW



SSB363  
QUARTZ 50TH ANNIVERSARY  
SPECIAL EDITION  
45.2mm. Quartz symbol  
patterned dial. Date calendar.  
\*325

NEW



SSB347  
43.9mm. Retrograde style  
subdials. Date calendar.  
Silicone strap. \*275

NEW



SSB353  
43.9mm. Retrograde style  
subdials. Date calendar.  
Silicone strap. \*275

NEW



SSB345  
43.9mm. Retrograde style  
subdials. Date calendar. \*315



SSB325  
43.9mm. Date calendar.  
Silicone strap. \*235



SSB321  
43.9mm. Date calendar.  
\*285



SSB333  
42.7mm. Date calendar.  
Leather strap. \$260



SSB331  
42.7mm. Date calendar. \$315



SUR285  
40.8mm. Date calendar. \$250



SSB341  
43.3mm. Date calendar.  
Leather strap. \$250



SSB342  
43.3mm. Date calendar.  
Leather strap. \$295



SSB339  
43.3mm. Date calendar.  
\$265



# ESSENTIALS

58 Essentials

NEW



**SGEH92**  
QUARTZ 50TH ANNIVERSARY  
SPECIAL EDITION  
40.6mm. Quartz symbol  
patterned dial. Date calendar.  
\$240



NEW



**SXDH04**  
QUARTZ 50TH ANNIVERSARY  
SPECIAL EDITION  
28.7mm. Quartz symbol  
patterned dial. Date calendar.  
\$240



Essentials 59

NEW



**SGEH89**  
40.6mm. Date calendar.  
\$215



NEW



**SXDG99**  
28.7mm. Date calendar.  
\$215



NEW



**SGEH90**  
40.6mm. Date calendar.  
\$240



NEW



**SXDH02**  
28.7mm. Date calendar.  
\$240



**SGEH88**  
40.4mm. Leather strap.  
\$220



**SXDG98**  
28.7mm. Leather strap.  
\$220





**SNE479**  
40.0mm. 10-month power reserve once fully charged. Date calendar. **\$250**



**SNE481**  
40.0mm. 10-month power reserve once fully charged. Date calendar. **\$275**



**SNE482**  
40.0mm. 10-month power reserve once fully charged. Date calendar. **\$275**



**SUP385**  
27.5mm. 12-month power reserve once fully charged. **\$275**



**SUP386**  
27.5mm. 12-month power reserve once fully charged. **\$295**



**SUP396**  
27.5mm. 12-month power reserve once fully charged. **\$350**



# ESSENTIALS

62 Essentials

Essentials 63



**SNE507**  
39.5mm. Patterned dial.  
10-month power reserve once fully charged. Date calendar. Cabochon crown. **¥295**



**SUP393**  
29.0mm. Patterned dial.  
12-month power reserve once fully charged. Cabochon crown. **¥295**



**SNE508**  
39.5mm. Patterned dial.  
10-month power reserve once fully charged. Date calendar. Cabochon crown. **¥325**



**SUP394**  
29.0mm. Patterned dial.  
12-month power reserve once fully charged. Cabochon crown. **¥325**



**SNE491**  
42.0mm. 10-month power reserve once fully charged. Date calendar. Leather strap. **¥225**



**SNE492**  
42.0mm. 10-month power reserve once fully charged. Date calendar. Leather strap. **¥250**



**SNE489**  
42.0mm. 10-month power reserve once fully charged. Date calendar. **¥250**





# ESSENTIALS

64 Essentials

Essentials 65



**SNKP25**  
39.5mm. Self-winding. 21,600 vibrations per hour. Day/date calendar. Leather strap. **\$275**



**SNKP27**  
39.5mm. Self-winding. 21,600 vibrations per hour. Day/date calendar. Leather strap. **\$275**



**SNKP23**  
39.5mm. Self-winding. 21,600 vibrations per hour. Day/date calendar. **\$275**



**SNKN37**  
43.5mm. Self-winding. 21,600 vibrations per hour. Day/date calendar. Leather strap. **\$225**



**SNKM97**  
43.5mm. Self-winding. 21,600 vibrations per hour. Day/date calendar. **\$250**



**SNKN48**  
44.5mm. Self-winding. 21,600 vibrations per hour. Day/date calendar. **\$295**



**SSC667**  
43.5mm. 6-month power reserve once fully charged. Date calendar. Nylon strap. **\$350**



**SSC669**  
43.5mm. 6-month power reserve once fully charged. Date calendar. Nylon strap. **\$375**





**SSC715**  
43.2mm. 6-month power reserve once fully charged.  
Date calendar. **¥375**



**SSC721**  
43.2mm. 6-month power reserve once fully charged.  
Date calendar. **¥395**



**SSC446**  
43.5mm. 6-month power reserve once fully charged.  
Date calendar. **¥425**



**SSC141**  
42.5mm. 6-month power reserve once fully charged.  
Date calendar. **¥375**



**SSC142**  
42.5mm. 6-month power reserve once fully charged.  
Date calendar. **¥395**



**SSC143**  
42.5mm. 6-month power reserve once fully charged.  
Date calendar. **¥425**





**SNE487**  
43.0mm. 10-month power reserve once fully charged. Date calendar. Leather strap. **\$250**



**SNE483**  
43.0mm. 10-month power reserve once fully charged. Date calendar. **\$250**



**SNE485**  
43.0mm. 10-month power reserve once fully charged. Date calendar. **\$295**



**SNE361**  
43.0mm. 10-month power reserve once fully charged. Day/date calendar. **\$250**



**SNE215**  
38.0mm. 10-month power reserve once fully charged. Date calendar. **\$275**



**SNE329**  
43.0mm. 10-month power reserve once fully charged. Day/date calendar. Nylon strap. **\$195**



**SNE331**  
43.0mm. 10-month power reserve once fully charged. Day/date calendar. Nylon strap. **\$205**



**SNE323**  
41.0mm. 10-month power reserve once fully charged. Date calendar. **\$250**



**SNE325**  
41.0mm. 10-month power reserve once fully charged. Date calendar. **\$295**



NEW



**SNE529**  
40.0mm. 10-month power reserve once fully charged. Day/date calendar. Sapphire crystal. Leather strap. **\$240**



NEW



**SNE525**  
40.0mm. 10-month power reserve once fully charged. Day/date calendar. Sapphire crystal. **\$275**



**SNE102**  
39.0mm. 10-month power reserve once fully charged. Day/date calendar. Leather strap. **\$225**



**SNE093**  
39.0mm. 10-month power reserve once fully charged. Day/date calendar. **\$225**



**SNE098**  
39.0mm. 10-month power reserve once fully charged. Day/date calendar. **\$265**



**SNE100**  
39.0mm. 10-month power reserve once fully charged. Day/date calendar. **\$265**



# ESSENTIALS

72 Essentials

Essentials 73



**SWR033**  
32.0mm. Textured dial and markers. \$265



**SWR034**  
32.0mm. Textured dial and markers. \$315



**SFQ801**  
29.6mm. Cabochon crown. \$260



**SFQ800**  
29.6mm. Blue hour and minute hands. Cabochon crown. \$295



**SRZ519**  
29.0mm. Blue hour, minute and second hands. Cabochon crown. \$250



**SRZ520**  
29.0mm. Blue hour, minute and second hands. Cabochon crown. \$295



**SUT347**  
28.0mm. 6-month power reserve once fully charged. Date calendar. \$225



**SUT349**  
28.0mm. 6-month power reserve once fully charged. Date calendar. \$295



**SUT350**  
28.0mm. 6-month power reserve once fully charged. Date calendar. \$275



# ESSENTIALS

74 Essentials

Essentials 75



**SUT315**  
27.0mm. 6-month power reserve once fully charged. Date calendar. **\$235**



**SUT316**  
27.0mm. 6-month power reserve once fully charged. Date calendar. **\$265**



**SUT222**  
26.0mm. 6-month power reserve once fully charged. Date calendar. **\$265**



**SUP352**  
23.0mm. 12-month power reserve once fully charged. **\$275**



**SUP210**  
18.5mm. 12-month power reserve once fully charged. **\$215**



**SUP272**  
15.0mm. 12-month power reserve once fully charged. **\$295**



**SUP274**  
15.0mm. 12-month power reserve once fully charged. **\$295**



**SUP276**  
15.0mm. 12-month power reserve once fully charged. **\$295**

# ESSENTIALS

76 Essentials

Essentials 77



**SNE039**  
37.5mm. 10-month power reserve once fully charged. Day/date calendar. **\*195**



**SNE047**  
37.5mm. 10-month power reserve once fully charged. Day/date calendar. **\*215**



**SNE032**  
37.0mm. 10-month power reserve once fully charged. Day/date calendar. **\*215**



**SNE036**  
37.0mm. 10-month power reserve once fully charged. Day/date calendar. **\*215**



**SNE042**  
37.0mm. 10-month power reserve once fully charged. Day/date calendar. **\*215**



**SUT110**  
25.0mm. 6-month power reserve once fully charged. Day/date calendar. **\*215**



**SUT116**  
25.0mm. 6-month power reserve once fully charged. Day/date calendar. **\*215**



**SUT118**  
25.0mm. 6-month power reserve once fully charged. Day/date calendar. **\*215**





**SUT375**  
28.0mm. 6-month power reserve once fully charged. Date calendar. Leather strap. **\*225**



**SUT376**  
28.0mm. 6-month power reserve once fully charged. Date calendar. Leather strap. **\*225**



**SUP304**  
26.0mm. 12-month power reserve once fully charged. Leather strap. **\*195**



**SUP250**  
18.0mm. 12-month power reserve once fully charged. Leather strap. Cabochon crown. **\*195**



**SUP252**  
18.0mm. 12-month power reserve once fully charged. Leather strap. Cabochon crown. **\*195**



**SUP880**  
28.5mm. 12-month power reserve once fully charged. Leather strap. Cabochon crown. **\*195**



**SUP896**  
28.0mm. 12-month power reserve once fully charged. Leather strap. **\*215**





# ESSENTIALS

80 Essentials

Essentials 81



SXGL59  
16.0mm. \$195



SXGL61  
16.0mm. \$195



SXGL62  
16.0mm. \$195



SGF204  
36.5mm. Day/date  
calendar. \$315



SGF206  
36.5mm. Day/date  
calendar. \$315



SWZ054  
24.5mm. Day/date  
calendar. \$315



S23159  
**VISUALLY IMPAIRED**  
36.0mm. Braille for visually  
impaired. Hinged acrylic crystal  
opens to allow access to raised  
markers. Leather strap. \$265



SWL001  
**VISUALLY IMPAIRED**  
26.0mm. Braille for visually  
impaired. Hinged acrylic crystal  
opens to allow access to raised  
markers. Leather strap. \$265

# SEIKO

## SEIKO TECHNOLOGY

---

### RADIO SYNC

WORLD TIME CHRONOGRAPH	8B92
DUAL TIME	8B63

### CHRONOGRAPH

PERPETUAL CHRONOGRAPH	V198
ALARM CHRONOGRAPH	V172
CHRONOGRAPH WITH POWER RESERVE INDICATOR	V192, V194
CHRONOGRAPH	V175, V176, 8T63, 8T67

### SOLAR ANALOG/DIGITAL

SOLAR ANALOG/DIGITAL	H851
----------------------	------

### AUTOMATIC

AUTOMATIC	4R35, 4R38, 7S26
AUTOMATIC DIVER	4R35, 4R36
AUTOMATIC WITH POWER RESERVE & DATE DISPLAY	4R57

## SEIKO TECHNOLOGY

---

### RADIO SYNC SOLAR

Radio Sync Solar Chronograph automatically receives radio signals daily of an official standard frequency from USA (Fort Collins), Japan, China, or Germany to precisely adjust the time and calendar.

### SEIKO SOLAR

Seiko Solar watches collect energy from any light source and convert it into electrical energy. This energy is stored in a rechargeable lithium ion cell which takes the place of a conventional watch battery. From there, the watch operates like any other quartz watch.

### SOLAR ANALOG/DIGITAL

With both traditional and digital displays, the functions of this movement include a stopwatch, dual time capability, a calendar, and an alarm.

### ALARM CHRONOGRAPH

Seiko alarm chronographs offer the features of a chronograph along with a 12-hour alarm.

### CHRONOGRAPH WITH POWER RESERVE

In addition to the stop watch, this chronograph displays the remaining power reserve, so you can always know when its time to recharge.

### CHRONOGRAPH

Seiko chronographs provide standard watch functions as well as precise stopwatch timing for a variety of activities.

### PERPETUAL CALENDAR

The Seiko Perpetual Calendar automatically adjusts for odd and even months including February of leap years.

### AUTOMATIC

Self-winding mechanical watches operate using power obtained from a mainspring which is wound automatically with the motion of the wearer's arm.

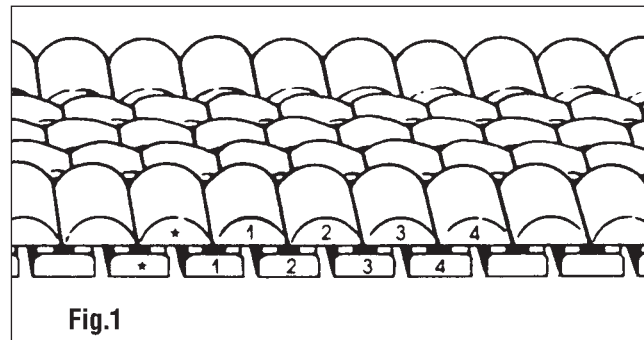
Seiko bracelets are designed to be elegant and durable, as well as easy to adjust.

**PRO TIPS**

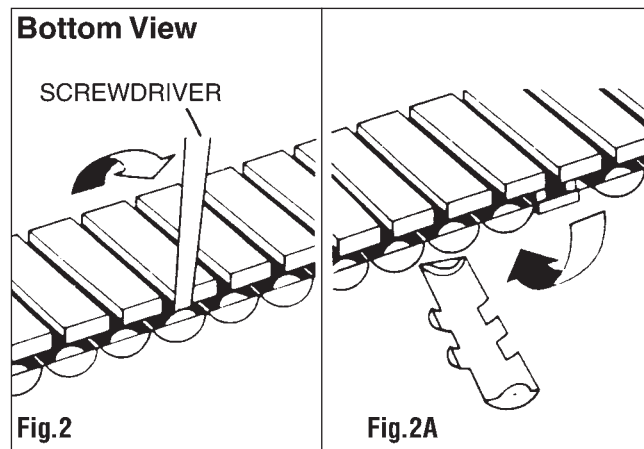
- Before "sizing," estimate the number of links you'll want to remove, and remove sections, rather than individual links, when you can.
- If you are only making a small adjustment, check to see if it can be made by adjusting the clasp mechanism before you start removing links.
- Save the removed links.
- Work on a flat surface so the links stay aligned.
- On expansion bracelets, remove links from near the center of the watchband.
- On clasp bracelets, remove an equal number of links from the bracelet on each side of the clasp.

**LOCKING TAB BRACELETS**

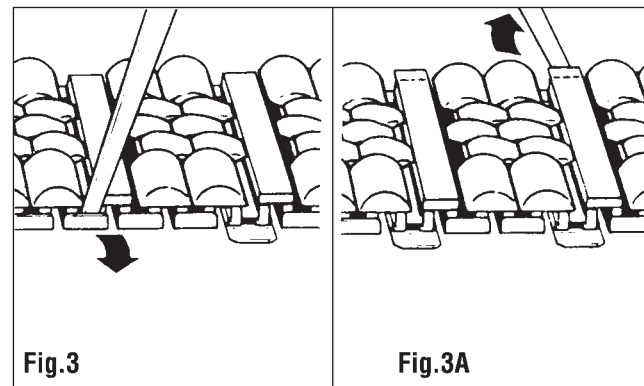
1. Many bracelets, particularly expansion bracelets in a "topshell and bottom box" design, are locked together by bent tabs of metal. To size these bracelets:
2. Place the band upside down and use a thin blade to pull out and straighten the tab on one end of a topshell.
- 2a. Lift the band, pivot the end of the topshell with the straightened tab away from the band and "unhook" the other hand to free the topshell. Put this topshell aside for reassembly. Repeat this procedure, on the topshell at the other end of the section you want to remove.



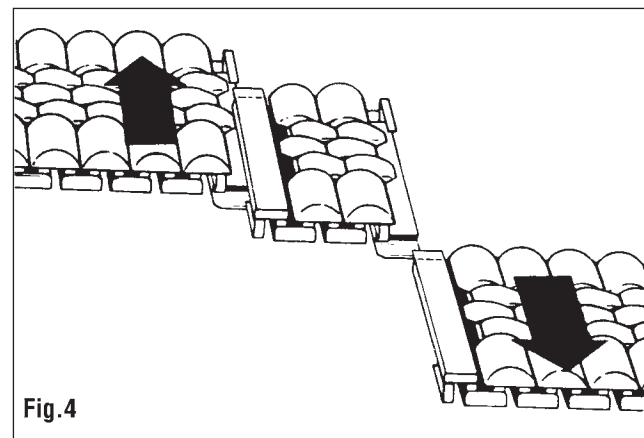
3. Place the band rightside up so you can see the "top boxes" you have exposed by removing topshells. Next, use a thin blade to pull out and straighten the flaps on the bottom boxes diagonally to the left of the topshells you have removed.



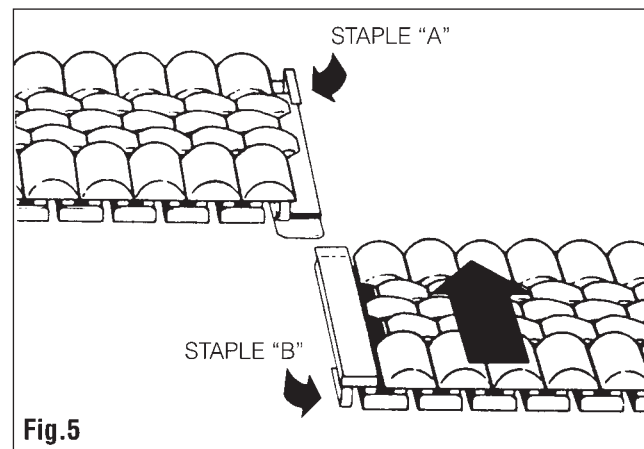
- 3a. Then straighten the flaps on the exposed top boxes.
4. Keeping the bracelet on a flat surface, slide the left hand section of the bracelet away from you as you pull the right hand section toward you.



5. Remove the unwanted section and align the two parts of the band for reassembly. "Staple A," the small hook on the left hand section, should slide into the top box on the right hand section above the spring. "Staple B," on the right hand section should slide into the bottom box on the available left hand section.

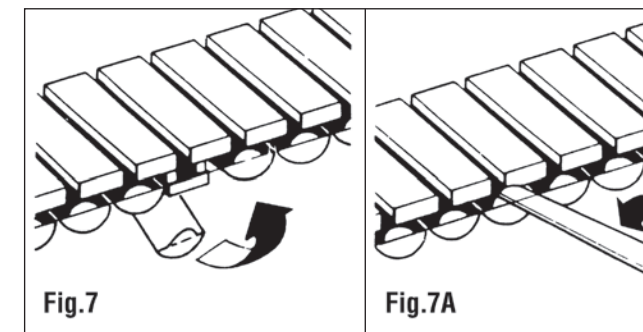
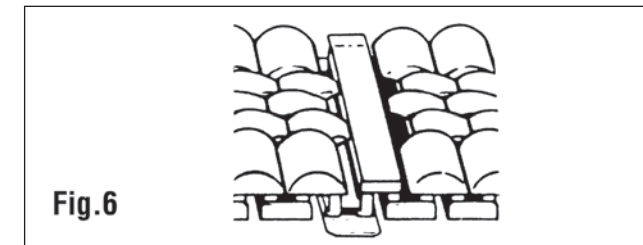


6. Gently "close" the flaps on the top and bottom boxes. Do not use pliers – they can damage a bracelet.
7. Take the first topshell you removed and hook its unbent end into the bracelet over the top box flap. Pivot it into place.
- 7a. Rebend and insert the tab to lock the topshell into position.



**SCREW PIN BRACELETS**

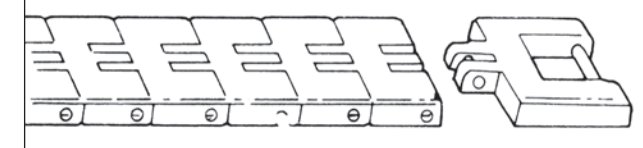
These bracelets are easy to size. Unscrew the pins that hold the links you wish to remove, remove those links, reassemble the band, and re-insert a screw to hold it together. Note that in some bracelets, not all links have accessible screws.



**SPRING CLIP BRACELETS**

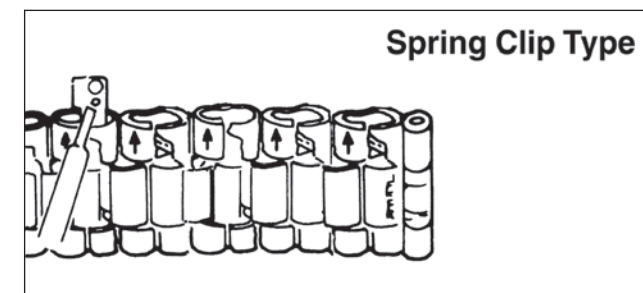
These bracelets can be quickly sized, once you know how. Looking at the underside of the bracelet, place a pointed object into a spring clip you want to remove and slide the spring clip in the direction of the arrow. Once you have removed the appropriate number of links, align the remaining parts of the bracelet and put one of the spring clips you removed back in to join the bracelet back together.

**Screw Pin Type**



**SPLIT PIN TYPE (SIZING CODE I)**

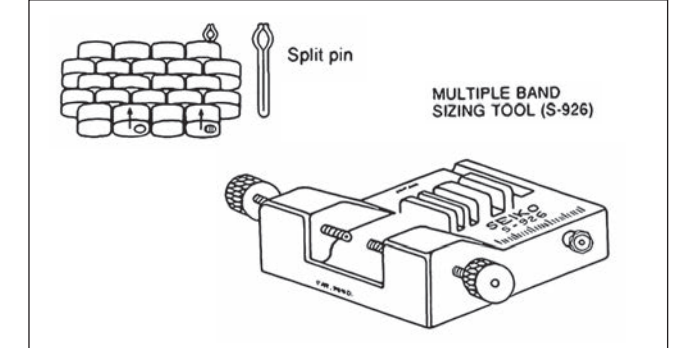
Push the pin in with the SEIKO Multiple Band Sizing tool or a common band sizing tool in the direction of the arrow and the pin will be removed from the link.



**Information 85**

After removing the appropriate number of links, reassemble the links and insert the pin using the sizing tool in the opposite direction of the arrow.

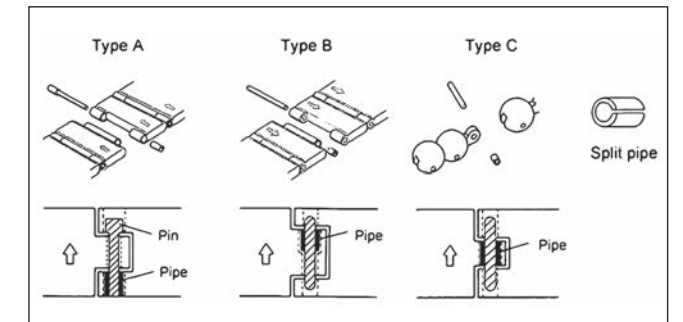
**PIN AND SPLIT PIPE TYPE (SIZING CODE C)**



Push the pin in with the sizing tool in the direction of the arrow and the pin and a pipe can be taken out. Remove the appropriate number of links.

**REASSEMBLY**

- Type A  
Reassemble the links, place the pipe into the hole of the link and insert the pin in the opposite direction of the arrow.
- Type B  
Place the pipe into the hole of the link, reassemble the links and insert the pin in the direction of the arrow.
- Type C  
Place the pipe into the hole of the link, reassemble the links and insert the pin.



Seiko has introduced a bracelet sizing coding system, adding a sizing code on each bracelet after the Band # with a dot in-between as shown below. The bracelet code can be found on the back of the bracelet either on the end piece, clasp, or on the links.

114BA · A  
Band No.      Bracelet sizing code

See Operational Guide for detailed instructions on bracelet sizing codes.



MODEL NO.	PAGE	RETAIL	CRYSTAL	WATER RESISTANCE	MOVEMENT	BATTERY LIFE / POWER RESERVE	LUMIBRITE	CLASP	CASE BACK	CALIBER
S23159	81	\$265.00	Hinged Acrylic Crystal	N/A	Quartz	2 Years	-	Buckle	Snap	7C17
SFQ798	48	\$335.00	CH	50M (5 bar)	Quartz	3 Years	-	Push 3 fold	Snap	7N00
SFQ800	73	\$295.00	CH	50M (5 bar)	Quartz	3 Years	-	Push 3 fold	Snap	7N00
SFQ801	73	\$260.00	CH	50M (5 bar)	Quartz	3 Years	-	Push 3 fold	Snap	7N00
SFQ802	48	\$350.00	CH	50M (5 bar)	Quartz	3 Years	-	Push 3 fold	Snap	7N00
SFQ803	48	\$295.00	CH	50M (5 bar)	Quartz	3 Years	-	Push 3 fold	Snap	7N00
SGEH88	58	\$220.00	CH	100M (10 bar)	Quartz	5 Years	-	Buckle	Snap	7N42
SGEH89	59	\$215.00	CH	100M (10 bar)	Quartz	5 Years	-	Push 3 fold	Snap	7N42
SGEH90	59	\$240.00	CH	100M (10 bar)	Quartz	5 Years	-	Push 3 fold	Snap	7N42
SGEH92	58	\$240.00	CH	100M (10 bar)	Quartz	5 Years	-	Push 3 fold	Snap	7N42
SGF204	80	\$315.00	H	30M (3 bar)	Quartz	5 Years	Hands & Markers	Push 3 fold	Screw	7N43
SGF206	80	\$315.00	H	30M (3 bar)	Quartz	5 Years	Hands & Markers	Push 3 fold	Screw	7N43
SKK878	38	\$575.00	S	100M (10 bar)	Quartz	3 Years	Hands & 12 o'clock marker	Push 3 fold	Snap	7N32
SKK880	38	\$550.00	S	100M (10 bar)	Quartz	3 Years	Hands & 12 o'clock marker	Push 3 fold	Snap	7N32
SKK881	38	\$525.00	S	100M (10 bar)	Quartz	3 Years	Hands & 12 o'clock marker	Push 3 fold	Snap	7N32
SNE032	76	\$215.00	H	30M (3 bar)	Solar	10-month reserve	Hands & Markers	Push 3 fold	Screw	V158
SNE036	76	\$215.00	H	30M (3 bar)	Solar	10-month reserve	Hands & Markers	Push 3 fold	Screw	V158
SNE039	76	\$195.00	H	30M (3 bar)	Solar	10-month reserve	Hands & Markers	Push 3 fold	Screw	V158
SNE042	76	\$215.00	H	30M (3 bar)	Solar	10-month reserve	Hands & Markers	Push 3 fold	Screw	V158
SNE047	76	\$215.00	H	30M (3 bar)	Solar	10-month reserve	Hands & Markers	Push 3 fold	Screw	V158
SNE093	71	\$225.00	H	100M (10 bar)	Solar	10-month reserve	Hands & Markers	Push 3 fold	Screw	V158
SNE098	71	\$265.00	H	100M (10 bar)	Solar	10-month reserve	Hands & Markers	Push 3 fold	Screw	V158
SNE100	71	\$265.00	H	100M (10 bar)	Solar	10-month reserve	Hands & Markers	Push 3 fold	Screw	V158
SNE102	71	\$225.00	H	100M (10 bar)	Solar	10-month reserve	Hands & Markers	Buckle	Screw	V158
SNE215	69	\$275.00	H	100M (10 bar)	Solar	10-month reserve	Hands & Markers	Push 3 fold	Snap	V157
SNE243	43	\$395.00	H	50M (5 bar)	Solar	10-month reserve	-	Push 3 fold	Snap	V157
SNE323	69	\$250.00	H	100M (10 bar)	Solar	10-month reserve	-	Push 3 fold	Snap	V157
SNE325	69	\$295.00	H	100M (10 bar)	Solar	10-month reserve	-	Push 3 fold	Snap	V157
SNE329	68	\$195.00	H	100M (10 bar)	Solar	10-month reserve	Hands & Markers	Buckle	Screw	V158
SNE331	68	\$205.00	H	100M (10 bar)	Solar	10-month reserve	Hands & Markers	Buckle	Screw	V158
SNE361	69	\$250.00	H	100M (10 bar)	Solar	10-month reserve	Hands & Markers	Push 3 fold	Screw	V158
SNE412	35	\$350.00	S	100M (10 bar)	Solar	10-month reserve	Hands & Markers	Push 3 fold	Screw	V157
SNE430	43	\$325.00	H	100M (10 bar)	Solar	10-month reserve	-	Push 3 fold	Screw	V157
SNE435	17	\$395.00	H with magnified glass	200m Diver	Solar	10-month reserve	Hands & Markers	Push 3 fold with secure lock & extender	Screw	V157
SNE441	17	\$375.00	H with magnified glass	200m Diver	Solar	10-month reserve	Hands & Markers	Buckle	Screw	V157
SNE444	35	\$425.00	S	100M (10 bar)	Solar	10-month reserve	Hands & Markers	Push 3 fold	Screw	V157
SNE457	51	\$450.00	H	30M (3 bar)	Solar	10-month reserve	-	Push 3 fold	Snap	V157
SNE458	51	\$495.00	H	30M (3 bar)	Solar	10-month reserve	-	Push 3 fold	Snap	V157
SNE461	41	\$350.00	CH	30M (3 bar)	Solar	10-month reserve	-	Push 3 fold	Snap	V157
SNE462	41	\$375.00	CH	30M (3 bar)	Solar	10-month reserve	-	Push 3 fold	Snap	V157
SNE479	60	\$250.00	H	30M (3 bar)	Solar	10-month reserve	-	Push 3 fold	Snap	V157
SNE481	60	\$275.00	H	30M (3 bar)	Solar	10-month reserve	-	Push 3 fold	Snap	V157
SNE482	60	\$275.00	H	30M (3 bar)	Solar	10-month reserve	-	Push 3 fold	Snap	V157

KEY TO FEATURES

H - Hardlex Crystal CH - Curved Hardlex Crystal S - Sapphire Crystal

# INDEX

MODEL NO.	PAGE	RETAIL	CRYSTAL	WATER RESISTANCE	MOVEMENT	BATTERY LIFE / POWER RESERVE	LUMIBRITE	CLASP	CASE BACK	CALIBER
SNE483	68	\$250.00	H	100M (10 bar)	Solar	10-month reserve	Hands & Markers	Push 3 fold	Screw	V157
SNE485	68	\$295.00	H	100M (10 bar)	Solar	10-month reserve	Hands & Markers	Push 3 fold	Screw	V157
SNE487	68	\$250.00	H	100M (10 bar)	Solar	10-month reserve	Hands & Markers	Buckle	Screw	V157
SNE489	63	\$250.00	CH	100M (10 bar)	Solar	10-month reserve	-	Push 3 fold	Screw	V157
SNE491	63	\$225.00	CH	100M (10 bar)	Solar	10-month reserve	-	Buckle	Screw	V157
SNE492	63	\$250.00	CH	100M (10 bar)	Solar	10-month reserve	-	Buckle	Screw	V157
SNE498	16	\$450.00	H	200m Diver	Solar	10-month reserve	Hands & Markers	Buckle	Screw	V157
SNE499	16	\$450.00	H	200m Diver	Solar	10-month reserve	Hands & Markers	Buckle	Screw	V157
SNE506	35	\$550.00	S	100M (10 bar)	Solar	10-month reserve	Hands & Markers	Push 3 fold	Screw	V157
SNE507	62	\$295.00	H	50M (5 bar)	Solar	10-month reserve	-	Push 3 fold	Snap	V157
SNE508	62	\$325.00	H	50M (5 bar)	Solar	10-month reserve	-	Push 3 fold	Snap	V157
SNE525	70	\$275.00	S	100M (10 bar)	Solar	10-month reserve	-	Push 3 fold	Screw	V158
SNE529	70	\$240.00	S	100M (10 bar)	Solar	10-month reserve	-	Buckle	Screw	V158
SNE533	15	\$450.00	H	200m Diver	Solar	10-month reserve	Hands & Markers	Buckle	Screw	V157
SNE535	15	\$450.00	H	200m Diver	Solar	10-month reserve	Hands & Markers	Buckle	Screw	V157
SNE537	15	\$450.00	H	200m Diver	Solar	10-month reserve	Hands & Markers	Buckle	Screw	V157
SNJ025	14	\$525.00	H	200m Diver	Solar Analog/ Digital	6-month reserve	Hands & Markers	Buckle	Screw	H851
SNJ027	14	\$525.00	H	200m Diver	Solar Analog/ Digital	6-month reserve	Hands & Markers	Buckle	Screw	H851
SNKM97	65	\$250.00	H	50M (5 bar)	Automatic	41-hour reserve	-	Push 3 fold	Screw See-through	7S26
SNKN37	65	\$225.00	H	50M (5 bar)	Automatic	41-hour reserve	-	Buckle	Screw See-through	7S26
SNKN48	65	\$295.00	H	50M (5 bar)	Automatic	41-hour reserve	-	Push 3 fold	Screw See-through	7S26
SNKP23	64	\$275.00	H	50M (5 bar)	Automatic	41-hour reserve	-	Push 3 fold	Screw See-through	7S26
SNKP25	64	\$275.00	H	50M (5 bar)	Automatic	41-hour reserve	-	Buckle	Screw See-through	7S26
SNKP27	64	\$275.00	H	50M (5 bar)	Automatic	41-hour reserve	-	Buckle	Screw See-through	7S26
SRP777	8	\$495.00	H	200m Diver	Automatic	41-hour reserve	Hands & Markers	Buckle	Screw	4R36
SRPA21	9	\$550.00	H	200m Diver	Automatic	41-hour reserve	Hands & Markers	Push 3 fold with secure lock & extender	Screw	4R36
SRPB41	23	\$450.00	Box Shaped H	50M (5 bar)	Automatic	41-hour reserve	-	Deployment	Screw See-through	4R35
SRPB43	22	\$425.00	Box Shaped H	50M (5 bar)	Automatic	41-hour reserve	-	Push 3 fold	Screw See-through	4R35
SRPB46	22	\$495.00	Box Shaped H	50M (5 bar)	Automatic	41-hour reserve	-	Push 3 fold	Screw See-through	4R35
SRPB51	11	\$525.00	H	200m Diver	Automatic	41-hour reserve	Hands & Markers	Push 3 fold with secure lock & extender	Screw	4R35
SRPB53	11	\$495.00	H	200m Diver	Automatic	41-hour reserve	Hands & Markers	Buckle	Screw	4R35
SRPB77	23	\$450.00	Box Shaped H	50M (5 bar)	Automatic	41-hour reserve	-	Deployment	Screw See-through	4R35
SRPB99	11	\$550.00	H	200m Diver	Automatic	41-hour reserve	Hands & Markers	Push 3 fold with secure lock & extender	Screw	4R35
SRPC07	10	\$525.00	H	200m Diver	Automatic	41-hour reserve	Hands & Markers	Push 3 fold with secure lock & extender	Screw	4R35
SRPC44	8	\$525.00	H	200m Diver	Automatic	41-hour reserve	Hands & Markers	Buckle	Screw	4R36
SRPC79	26	\$525.00	Dual curved S	30M (3 bar)	Automatic	41-hour reserve	-	Deployment	Screw See-through	4R35
SRPC83	26	\$495.00	Dual curved S	30M (3 bar)	Automatic	41-hour reserve	-	Push 3 fold	Screw See-through	4R35
SRPC91	9	\$495.00	H	200m Diver	Automatic	41-hour reserve	Hands & Markers	Buckle	Screw	4R36
SRPC93	10	\$525.00	H	200m Diver	Automatic	41-hour reserve	Hands & Markers	Push 3 fold with secure lock & extender	Screw	4R35
SRPC99	22	\$425.00	Box Shaped H	50M (5 bar)	Automatic	41-hour reserve	-	Push 3 fold	Screw See-through	4R35
SRPD05	27	\$625.00	Dual curved S	30M (3 bar)	Automatic	41-hour reserve	-	Push 3 fold	See-through	4R35
SRPD07	27	\$625.00	Dual curved S	30M (3 bar)	Automatic	41-hour reserve	-	Push 3 fold	See-through	4R35
SRPD09	7	\$525.00	H	200m Diver	Automatic	41-hour reserve	Hands & Markers	Buckle	Screw	4R35

MODEL NO.	PAGE	RETAIL	CRYSTAL	WATER RESISTANCE	MOVEMENT	BATTERY LIFE / POWER RESERVE	LUMIBRITE	CLASP	CASE BACK	CALIBER
SRPD11	7	\$575.00	H	200m Diver	Automatic	41-hour reserve	Hands & Markers	Push 3 fold with secure lock & extender	Screw	4R36
SRPD21	6	\$525.00	H	200m Diver	Automatic	41-hour reserve	Hands & Markers	Push 3 fold with secure lock & extender	Screw	4R36
SRPD23	6	\$525.00	H	200m Diver	Automatic	41-hour reserve	Hands & Markers	Push 3 fold with secure lock & extender	Screw	4R35
SRPD25	12	\$525.00	H with magnified glass	200m Diver	Automatic	41-hour reserve	Hands & Markers	Push 3 fold with secure lock & extender	Screw	4R36
SRPD27	12	\$495.00	H with magnified glass	200m Diver	Automatic	41-hour reserve	Hands & Markers	Buckle	Screw	4R36
SRPD36	20	\$595.00	Box Shaped H	50M (5 bar)	Automatic	41-hour reserve	-	Push 3 fold	Screw See-through	4R35
SRPD37	22	\$425.00	Box Shaped H	50M (5 bar)	Automatic	41-hour reserve	-	Push 3 fold	Screw See-through	4R35
SRPD39	25	\$525.00	Dual curved S	30M (3 bar)	Automatic	41-hour reserve	-	Deployment	Screw See-through	4R35
SRPD41	25	\$525.00	Dual curved S	30M (3 bar)	Automatic	41-hour reserve	-	Deployment	Screw See-through	4R35
SRZ519	72	\$250.00	CH	50M (5 bar)	Quartz	3 Years	-	Push 3 fold	Snap	7N01
SRZ520	72	\$295.00	CH	50M (5 bar)	Quartz	3 Years	-	Push 3 fold	Snap	7N01
SSA343	21	\$575.00	Box Shaped H	50M (5 bar)	Automatic	41-hour reserve	-	Push 3 fold	Screw See-through	4R57
SSA346	21	\$650.00	Box Shaped H	50M (5 bar)	Automatic	41-hour reserve	-	Push 3 fold	Screw See-through	4R57
SSA358	23	\$525.00	Box Shaped H	50M (5 bar)	Automatic	41-hour reserve	-	Deployment	Screw See-through	4R38
SSA359	23	\$475.00	Box Shaped H	50M (5 bar)	Automatic	41-hour reserve	-	Push 3 fold	Screw See-through	4R38
SSA379	26	\$550.00	Dual curved S	30M (3 bar)	Automatic	41-hour reserve	-	Push 3 fold	Screw See-through	4R39
SSA387	21	\$575.00	Box Shaped H	50M (5 bar)	Automatic	41-hour reserve	-	Push 3 fold	Screw See-through	4R57
SSA392	20	\$725.00	Box Shaped H	50M (5 bar)	Automatic	41-hour reserve	-	Push 3 fold	Screw See-through	4R57
SSA393	21	\$575.00	Box Shaped H	50M (5 bar)	Automatic	41-hour reserve	-	Push 3 fold	Screw See-through	4R57
SSA395	24	\$675.00	Dual curved S	30M (3 bar)	Automatic	41-hour reserve	-	Deployment	Screw See-through	4R57
SSA397	24	\$675.00	Dual curved S	30M (3 bar)	Automatic	41-hour reserve	-	Deployment	Screw See-through	4R57
SSB321	55	\$285.00	H	100M (10 bar)	Quartz Chronograph	3 Years	Hands & 12 o'clock marker	Push 3 fold	Screw	8T67
SSB325	55	\$235.00	H	100M (10 bar)	Quartz Chronograph	3 Years	Hands & 12 o'clock marker	Buckle	Screw	8T67
SSB331	56	\$315.00	CH	100M (10 bar)	Quartz Chronograph	3 Years	Hands & 12 o'clock marker	Push 3 fold	Screw	8T67
SSB333	56	\$260.00	CH	100M (10 bar)	Quartz Chronograph	3 Years	Hands & 12 o'clock marker	Buckle	Screw	8T67
SSB339	57	\$265.00	CH	100M (10 bar)	Quartz Chronograph	3 Years	-	Push 3 fold	Screw	8T63
SSB341	57	\$250.00	CH	100M (10 bar)	Quartz Chronograph	3 Years	-	Buckle	Screw	8T63
SSB342	57	\$295.00	CH	100M (10 bar)	Quartz Chronograph	3 Years	-	Buckle	Screw	8T63
SSB345	55	\$315.00	H	100M (10 bar)	Quartz Chronograph	3 Years	Hands & 12 o'clock marker	Push 3 fold	Screw	8T63
SSB347	55	\$275.00	H	100M (10 bar)	Quartz Chronograph	3 Years	Hands & 12 o'clock marker	Buckle	Screw	8T63
SSB353	55	\$275.00	H	100M (10 bar)	Quartz Chronograph	3 Years	Hands & 12 o'clock marker	Buckle	Screw	8T63
SSB357	54	\$315.00	CH	100M (10 bar)	Quartz Chronograph	3 Years	Hands & 12 o'clock marker	Push 3 fold	Screw	8T63
SSB359	54	\$275.00	CH	100M (10 bar)	Quartz Chronograph	3 Years	Hands & 12 o'clock marker	Buckle	Screw	8T63
SSB363	54	\$325.00	CH	100M (10 bar)	Quartz Chronograph	3 Years	Hands & 12 o'clock marker	Push 3 fold	Screw	8T63
SSC141	67	\$375.00	H	100M (10 bar)	Solar Alarm Chronograph	6-month reserve	Hands & Markers	Push 3 fold	Screw	V172
SSC142	67	\$395.00	H	100M (10 bar)	Solar Alarm Chronograph	6-month reserve	Hands & Markers	Push 3 fold	Screw	V172
SSC143	67	\$425.00	H	100M (10 bar)	Solar Alarm Chronograph	6-month reserve	Hands & Markers	Push 3 fold	Screw	V172
SSC376	34	\$495.00	S	100M (10 bar)	Solar Perpetual Chronograph	6-month reserve	Hands & Markers	Push 3 fold	Screw	V198
SSC446	67	\$425.00	H	100M (10 bar)	Solar Chronograph	6-month reserve	Hands & Markers	Push 3 fold	Screw	V175
SSC560	34	\$495.00	S	100M (10 bar)	Solar Perpetual Chronograph	6-month reserve	Hands & Markers	Push 3 fold	Screw	V198
SSC628	33	\$495.00	S	100M (10 bar)	Big-Date Solar Chronograph	6-month reserve	Hands & Markers	Push 3 fold	Screw	V194
SSC667	64	\$350.00	H	100M (10 bar)	Solar Chronograph	6-month reserve	Hands & Markers	Buckle	Screw	V175
SSC669	64	\$375.00	H	100M (10 bar)	Solar Chronograph	6-month reserve	Hands & Markers	Buckle	Screw	V175

**KEY TO FEATURES**

H - Hardlex Crystal CH - Curved Hardlex Crystal S - Sapphire Crystal

# INDEX

MODEL NO.	PAGE	RETAIL	CRYSTAL	WATER RESISTANCE	MOVEMENT	BATTERY LIFE / POWER RESERVE	LUMIBRITE	CLASP	CASE BACK	CALIBER
SSC700	34	\$525.00	S	100M (10 bar)	Solar Perpetual Chronograph	6-month reserve	Hands & Markers	Push 3 fold	Screw	V198
SSC701	7	\$450.00	H	200m Diver	Solar Chronograph	6-month reserve	Hands & Markers	Buckle	Screw	V175
SSC715	66	\$375.00	H	100M (10 bar)	Solar Chronograph	6-month reserve	Hands & Markers	Push 3 fold	Screw	V176
SSC721	66	\$395.00	H	100M (10 bar)	Solar Chronograph	6-month reserve	Hands & Markers	Push 3 fold	Screw	V176
SSC743	32	\$525.00	S	100M (10 bar)	Solar Chronograph with power reserve indicator	6-month reserve	Hands & Markers	Push 3 fold	Screw	V192
SSC745	32	\$495.00	S	100M (10 bar)	Solar Chronograph with power reserve indicator	6-month reserve	Hands & Markers	Buckle	Screw	V192
SSC747	32	\$495.00	S	100M (10 bar)	Solar Chronograph with power reserve indicator	6-month reserve	Hands & Markers	Buckle	Screw	V192
SSG009	30	\$595.00	S	100M (10 bar)	Radio Sync Solar Chronograph	6-month reserve	Hands & Markers	Push 3 fold	Glass (fixed)	8B92
SSG010	30	\$650.00	S	100M (10 bar)	Radio Sync Solar Chronograph	6-month reserve	Hands & Markers	Push 3 fold	Glass (fixed)	8B92
SSG015	17	\$595.00	H w/ anti-reflective coating	100M (10 bar)	Radio Sync Solar Chronograph	6-month reserve	Hands & Markers	Buckle	Glass (fixed)	8B92
SSG019	31	\$595.00	S	100M (10 bar)	Radio Sync Solar Dual Time	6-month reserve	Hands & Markers	Push 3 fold	Glass (fixed)	8B63
SSG020	31	\$650.00	S	100M (10 bar)	Radio Sync Solar Dual Time	6-month reserve	Hands & Markers	Push 3 fold	Glass (fixed)	8B63
SSG021	30	\$695.00	S	100M (10 bar)	Radio Sync Solar Chronograph	6-month reserve	Hands & Markers	Push 3 fold	Glass (fixed)	8B92
SUP173	50	\$275.00	CH	30M (3 bar)	Solar	12-month reserve	-	Push 3 fold	Snap	V115
SUP176	50	\$275.00	CH	30M (3 bar)	Solar	12-month reserve	-	Push 3 fold	Snap	V115
SUP210	75	\$215.00	H	30M (3 bar)	Solar	12-month reserve	-	Push 3 fold	Snap	V115
SUP250	79	\$195.00	H	30M (3 bar)	Solar	12-month reserve	-	Buckle	Snap	V115
SUP252	79	\$195.00	H	30M (3 bar)	Solar	12-month reserve	-	Buckle	Snap	V115
SUP272	75	\$295.00	H	30M (3 bar)	Solar	12-month reserve	-	Push 3 fold	Snap	V116
SUP274	75	\$295.00	H	30M (3 bar)	Solar	12-month reserve	-	Push 3 fold	Snap	V116
SUP276	75	\$295.00	H	30M (3 bar)	Solar	12-month reserve	-	Push 3 fold	Snap	V116
SUP304	78	\$195.00	H	30M (3 bar)	Solar	12-month reserve	-	Buckle	Snap	V115
SUP352	75	\$275.00	CH	30M (3 bar)	Solar	12-month reserve	-	Push 3 fold	Snap	V115
SUP359	47	\$325.00	CH	30M (3 bar)	Solar	12-month reserve	-	Push 3 fold	Snap	V115
SUP360	47	\$350.00	CH	30M (3 bar)	Solar	12-month reserve	-	Push 3 fold	Snap	V115
SUP364	47	\$350.00	CH	30M (3 bar)	Solar	12-month reserve	-	Push 3 fold	Snap	V115
SUP377	41	\$375.00	CH	30M (3 bar)	Solar	12-month reserve	-	Push 3 fold	Snap	V115
SUP378	41	\$395.00	CH	30M (3 bar)	Solar	12-month reserve	-	Push 3 fold	Snap	V115
SUP385	61	\$275.00	H	30M (3 bar)	Solar	12-month reserve	-	Push 3 fold	Snap	V115
SUP386	61	\$295.00	H	30M (3 bar)	Solar	12-month reserve	-	Push 3 fold	Snap	V115
SUP388	50	\$295.00	CH	30M (3 bar)	Solar	12-month reserve	-	Push 3 fold	Snap	V116
SUP390	50	\$295.00	CH	30M (3 bar)	Solar	12-month reserve	-	Push 3 fold	Snap	V116
SUP393	62	\$295.00	H	50M (5 bar)	Solar	12-month reserve	-	Push 3 fold	Snap	V115
SUP394	62	\$325.00	H	50M (5 bar)	Solar	12-month reserve	-	Push 3 fold	Snap	V115
SUP396	61	\$350.00	H	30M (3 bar)	Solar	12-month reserve	-	Push 3 fold	Snap	V115
SUP397	42	\$375.00	CH	50M (5 bar)	Solar	12-month reserve	-	Push 3 fold	Snap	V115
SUP398	42	\$395.00	CH	50M (5 bar)	Solar	12-month reserve	-	Push 3 fold	Snap	V115
SUP399	40	\$495.00	CH	30M (3 bar)	Solar	12-month reserve	-	Push 3 fold	Snap	V115
SUP401	40	\$495.00	CH	30M (3 bar)	Solar	12-month reserve	-	Push 3 fold	Snap	V115
SUP403	40	\$525.00	CH	30M (3 bar)	Solar	12-month reserve	-	Push 3 fold	Snap	V115

MODEL NO.	PAGE	RETAIL	CRYSTAL	WATER RESISTANCE	MOVEMENT	BATTERY LIFE / POWER RESERVE	LUMIBRITE	CLASP	CASE BACK	CALIBER
SUP405	40	\$525.00	CH	30M (3 bar)	Solar	12-month reserve	-	Push 3 fold	Snap	V115
SUP406	40	\$525.00	CH	30M (3 bar)	Solar	12-month reserve	-	Push 3 fold	Snap	V115
SUP429	46	\$325.00	H	30M (3 bar)	Solar	12-month reserve	-	Buckle	Snap	V115
SUP433	46	\$350.00	CH	30M (3 bar)	Solar	12-month reserve	-	Push 3 fold	Snap	V115
SUP434	46	\$375.00	CH	30M (3 bar)	Solar	12-month reserve	-	Push 3 fold	Snap	V115
SUP880	79	\$195.00	H	30M (3 bar)	Solar	12-month reserve	-	Buckle	Snap	V115
SUP896	79	\$215.00	H	50M (5 bar)	Solar	12-month reserve	-	Buckle	Snap	V115
SUR285	56	\$250.00	CH	100M (10 bar)	Quartz	3 Years	Hands & 12 o'clock marker	Push 3 fold	Screw	6N76
SUT068	43	\$425.00	H	50M (5 bar)	Solar	6-month reserve	Hands & Markers	Push 3 fold	Snap	V137
SUT074	49	\$295.00	H	30M (3 bar)	Solar	6-month reserve	-	Push 3 fold	Snap	V137
SUT110	77	\$215.00	H	30M (3 bar)	Solar	6-month reserve	Hands & Markers	Push 3 fold	Screw	V138
SUT116	77	\$215.00	H	30M (3 bar)	Solar	6-month reserve	-	Push 3 fold	Screw	V138
SUT118	77	\$215.00	H	30M (3 bar)	Solar	6-month reserve	-	Push 3 fold	Screw	V138
SUT222	74	\$265.00	H	100M (10 bar)	Solar	6-month reserve	-	Push 3 fold	Snap	V137
SUT312	49	\$325.00	CH	30M (3 bar)	Solar	6-month reserve	-	Push 3 fold	Snap	V137
SUT315	74	\$235.00	H	100M (10 bar)	Solar	6-month reserve	-	Push 3 fold	Snap	V137
SUT316	74	\$265.00	H	100M (10 bar)	Solar	6-month reserve	-	Push 3 fold	Snap	V137
SUT318	43	\$395.00	H	50M (5 bar)	Solar	6-month reserve	-	Push 3 fold	Snap	V137
SUT338	42	\$425.00	H	50M (5 bar)	Solar	6-month reserve	-	Push 3 fold	Snap	V137
SUT340	42	\$450.00	H	50M (5 bar)	Solar	6-month reserve	-	Push 3 fold	Snap	V137
SUT347	73	\$225.00	CH	30M (3 bar)	Solar	6-month reserve	-	Push 3 fold	Snap	V137
SUT349	73	\$295.00	CH	30M (3 bar)	Solar	6-month reserve	-	Push 3 fold	Snap	V137
SUT350	73	\$275.00	CH	30M (3 bar)	Solar	6-month reserve	-	Push 3 fold	Snap	V137
SUT351	43	\$375.00	H	50M (5 bar)	Solar	6-month reserve	-	Push 3 fold	Snap	V137
SUT371	39	\$495.00	H	50M (5 bar)	Solar	6-month reserve	-	Push 3 fold	Snap	V137
SUT372	39	\$525.00	H	50M (5 bar)	Solar	6-month reserve	-	Push 3 fold	Snap	V137
SUT374	39	\$550.00	H	50M (5 bar)	Solar	6-month reserve	-	Push 3 fold	Snap	V137
SUT375	78	\$225.00	CH	30M (3 bar)	Solar	6-month reserve	-	Buckle	Snap	V137
SUT376	78	\$225.00	CH	30M (3 bar)	Solar	6-month reserve	-	Buckle	Snap	V137
SUT380	39	\$525.00	H	50M (5 bar)	Solar	6-month reserve	-	Push 3 fold	Snap	V137
SWL001	81	\$265.00	Hinged Acrylic Crystal	N/A	Quartz	3 Years	-	Buckle	Snap	4J27
SWR033	72	\$265.00	CH	50M (5 bar)	Quartz	3 Years	-	Push 3 fold	Snap	4N30
SWR034	72	\$315.00	CH	50M (5 bar)	Quartz	3 Years	-	Push 3 fold	Snap	4N30
SWZ054	80	\$315.00	H	30M (3 bar)	Quartz	3 Years	Hands & Markers	Push 3 fold	Screw	7N83
SXDG98	58	\$220.00	CH	100M (10 bar)	Quartz	3 Years	-	Buckle	Snap	7N82
SXDG99	59	\$215.00	CH	100M (10 bar)	Quartz	3 Years	-	Push 3 fold	Snap	7N82
SXDH02	59	\$240.00	CH	100M (10 bar)	Quartz	3 Years	-	Push 3 fold	Snap	7N82
SXDH04	58	\$240.00	CH	100M (10 bar)	Quartz	3 Years	-	Push 3 fold	Snap	7N82
SXGL59	80	\$195.00	H	30M (3 bar)	Quartz	2 Years	-	Jewelry Clasp	Snap	1N01
SXGL61	80	\$195.00	H	30M (3 bar)	Quartz	2 Years	-	Jewelry Clasp	Snap	1N01
SXGL62	80	\$195.00	H	30M (3 bar)	Quartz	2 Years	-	Jewelry Clasp	Snap	1N01

**KEY TO FEATURES**

H - Hardlex Crystal CH - Curved Hardlex Crystal S - Sapphire Crystal